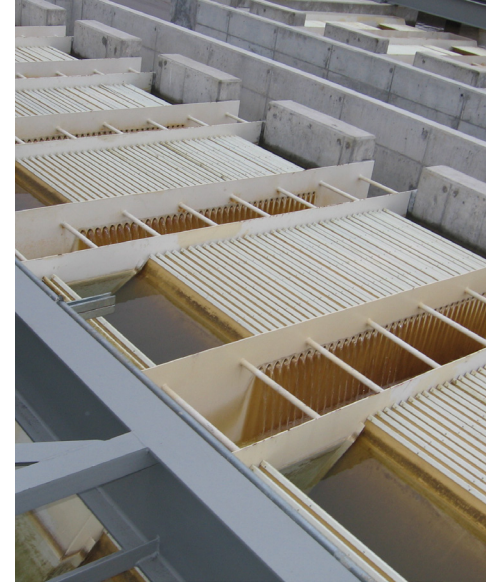
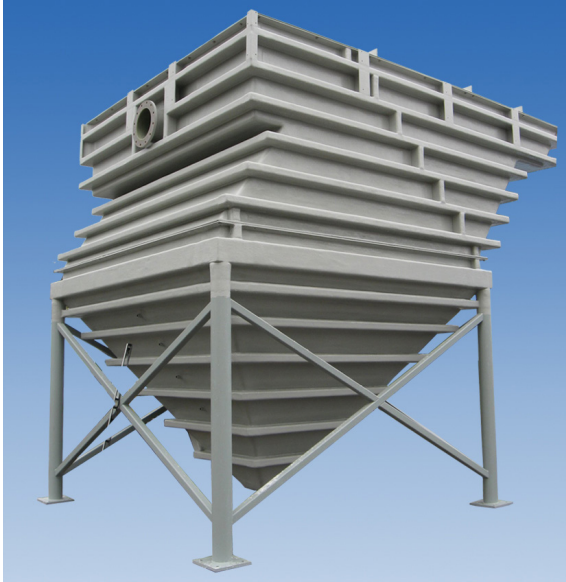


Lamella Clarifier



The Graver Lamella Clarifier minimizes maintenance and operating costs with a compact design requiring significantly less space than standard clarifiers. The small footprint allows the Lamella to be installed in- or outdoors and can easily be relocated after installation. The Lamella is ideal in new plants or for upgrading existing installations where space is limited. The system configuration ensures laminar flow conditions, which result in hydraulic uniformity and high effluent quality. Point-source treatment with the Lamella is appropriate for many applications.

Typical Applications

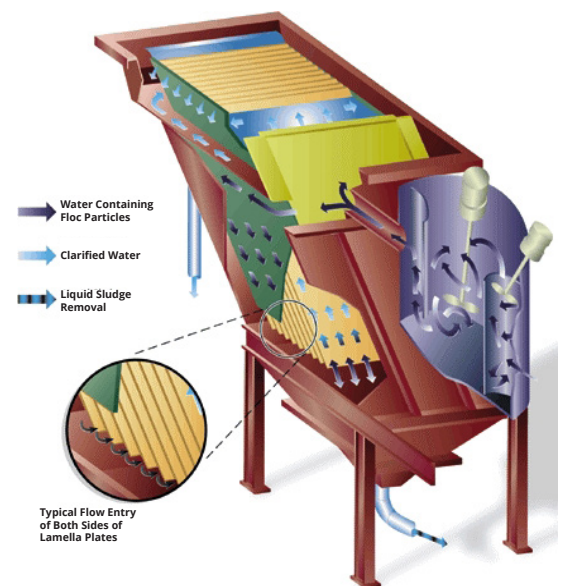
- Well Water Treatment
- Filter Backwash Recovery/Reuse
- FGD Purge Streams
- Cooling Tower Blowdown

Standard Design Features

- Structural steel support legs
- Epoxy painted carbon steel tank
- Individually removable FRP plates
- Adjustable effluent weir plates
- Standard units can be manufactured for flows from 5 gpm to 3000 gpm and above in a single above-grade tank
- One-piece prefabricated units are available with up to 1,000 sf of effective settling area
- Single tank construction with integral flash mix/floc compartments for smaller units
- Multiple sample connections

Optional Design Features

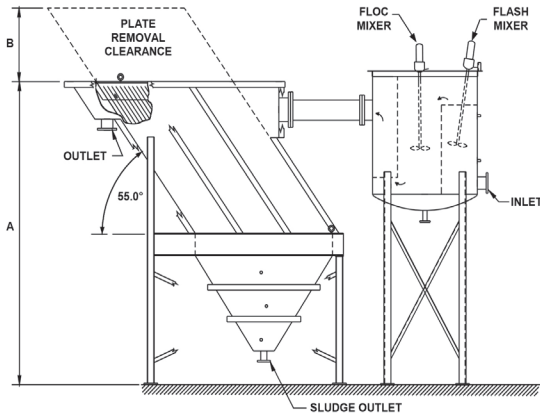
- Flash mix/flocculation tanks with mixers
- Full FRP or stainless steel construction
- Concrete tank designs for large flows
- Special coatings and plate materials
- Integral mechanical sludge thickener
- Access platform and ladder
- In-house laboratory analysis for equipment optimization
- Gasketed and removable covers
- Automatic desludging
- Instrumentation and controls
- Chemical feed equipment
- Sludge handling and dewatering



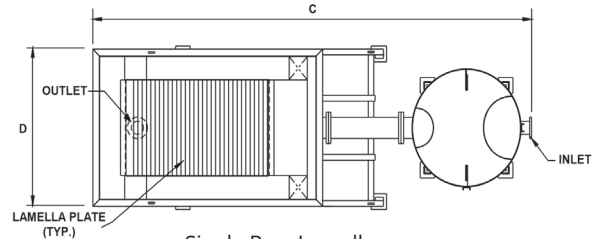
Lamella Clarifier



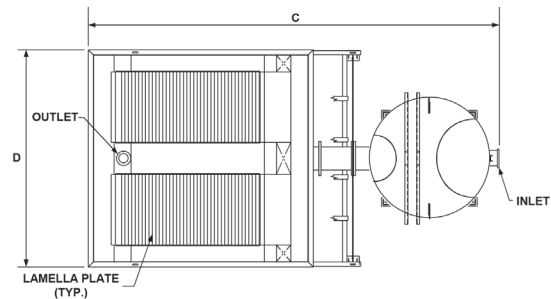
Elevation View



Plan View



Single Row Lamella



Double Row Lamella

Specifications for Standard Models

Model	Rated Flow GPM	Flash Vol. Gal	Floc Vol. Gal.	Dim. A	Dim. B	Dim. C	Dim. D	Shipping Wt		Flooded Wt	
								Lamella Lbs	Flash/Floc. Lbs	Lamella Lbs	Flash/Floc. Lbs
1-8-46	46	55	235	10'-10"	4'-11"	7'-5"	6'-8"	3,700	1,800	9,300	4,300
1-18-44	71	85	300	9'-2"	3'-6"	8'-3"	6'-8"	3,600	1,800	12,500	5,200
1-12-48	94	120	370	12'-0"	6'-7"	11'-5 1/4"	6'-8 1/2"	4,100	2,200	13,500	6,500
1-18-48	141	165	590	12'-6"	6'-7"	10'-7"	6'-8"	4,900	2,500	18,000	9,100
1-29-48	228	240	970	12'-8"	6'-7"	12'-9"	6'-8"	6,100	3,200	26,000	13,700
1-33-48	259	280	1140	13'-2"	6'-7"	13'-6"	6'-8"	6,500	3,500	29,500	15,700
1-42-48	330	360	1440	14'-5"	6'-7"	15'-4 3/8"	6'-8"	7,700	4,300	38,000	20,000
1-60-48	471	570	2000	17'-0"	6'-7"	19'-0"	6'-8"	11,000	5,400	57,000	27,500
2-84-46	488	570	2000	15'-0"	4'-11"	23'-5 1/8"	12'-8 1/2"	11,500	5,400	68,000	27,500
2-84-48	659	750	2750	16'-8"	6'-7"	24'-10 1/2"	12'-8 1/2"	12,300	5,900	79,000	36,000
2-120-48	942	1150	3850	17'-2"	6'-7"	29'-4"	12'-8 1/2"	15,700	6,800	110,000	49,000
2-150-48	1178	1190	4980	18'-6"	6'-7"	33'-9 1/2"	12'-8 1/2"	18,900	7,700	140,000	60,000
2-180-48	1413	1430	5920	19'-10"	6'-7"	36'-9 1/4"	12'-8 1/2"	22,500	8,500	173,000	71,000
2-198-48	1554	1600	6600	22'-0"	6'-7"	38'-8 1/8"	12'-8 1/2"	25,000	9,300	195,000	80,000

Note: Clarifiers and Flash Mix / Flocculation Tanks can be mixed on non-integral sized units.

Contact Us

Graver Water Systems, LLC
30 Technology Drive Suite 2F
Warren, NJ 07059

T: 908 516 1400
F: 908 516 1401
E: sales@graver.com